

### Features

- 150 lb-in (17 nm) torque rating
- Oil immersed gear train provides continuous lubrication
- NEMA 4 Housing, UL approved
- Automatic current sensing motor control provides extended reliability timing
- MF models provide floating point control (drive open-hold-drive closed)
- MS models provide proportional control compatible with 2 to 10 VDC input
- Product life, minimum of 100,000 cycles



### Specifications

<b>Control Signal</b>	MA-40-7173 On/Off
	MF-40-7173 SPDT Floating
	MS-40-7173 Proportional 2 to 10 VDC input

#### Power Requirements

**MA-40-7173** On/Off 24 VAC  $\pm 20\%$  @ 50/60 Hz, 3.8 VA, 7.1 W (running) and 3.6 W (holding)  
**MF-40-7173** Floating Two Wire 24 VAC  $\pm 20\%$  @ 50/60 Hz, 3.8 VA, 7.1 W (running) and 3.6 W (holding)  
**MS-40-7173** Proportional 2 to 10 VDC in 24 VAC  $\pm 20\%$  @ 50/60 Hz, 8.0 VA, 10.0 W.  
**MA-40-7170** 120 VAC  $\pm 10\%$  @ 50/60 Hz, 8.0 VA, 10.0 W.  
**MA-40-7171** 240 VAC  $\pm 10\%$  @ 50/60 Hz, 8.0 VA, 10.0 W.  
**Note:** All 24 VAC circuits are Class 2. All circuits 30 VAC and above are Class 1

#### Connections

24 inch (61 cm) long appliance cables, 18 AWG color coded leads with 1/2" conduit connector NPT.

<b>Electrical</b>	Stroke: Electronically limited to $93^\circ \pm 1^\circ$ .
	Timing: Approximate running time is 145 seconds.

<b>Mechanical</b>	Output torque rating: 150 lb-in (17 Nm).
	Timing: Approximate running time is 145 seconds.
	Position Indicator: pointer and scale are provided for position indication.
	Direction of Rotation: CW or CCW rotation is available through reverse mounting.

<b>Temperature Limits</b>	Shipping and Storage: $-40^\circ$ to $160^\circ\text{F}$ ( $-40$ to $71^\circ\text{C}$ ) ambient
	Operating: $-25$ to $140^\circ\text{F}$ ( $-40$ to $71^\circ\text{C}$ )

<b>Humidity</b>	15 to 95% RH non-condensing
-----------------	-----------------------------

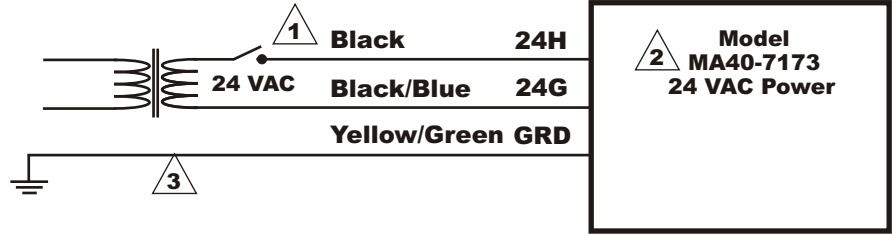
<b>Locations</b>	NEMA 1, NEMA 4 with customer supplied conduit connectors
------------------	--

# Wiring Diagrams Spring Return

Series 46 **VT**

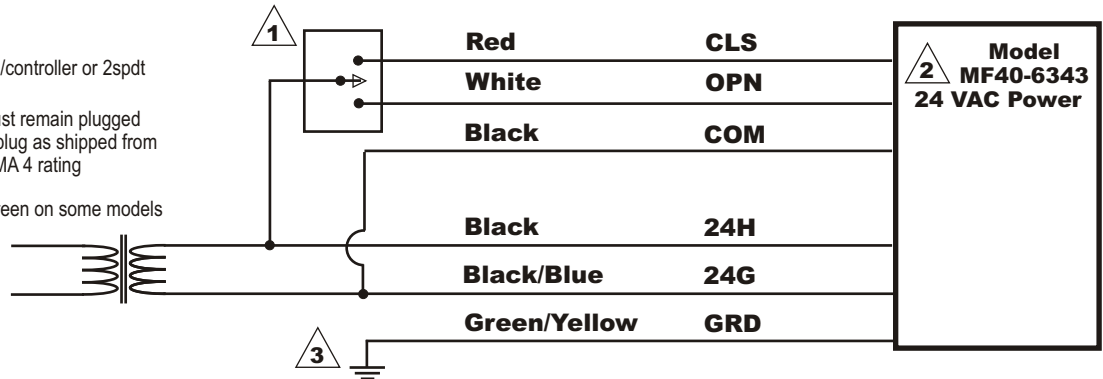
## On/Off

- 1** SPDT or Triac controller. Multiple MA40-7173 actuators may be powered by a single 24VAC transformer.
- 2** Unused conduit port must remain plugged with a water tight pipe plug as shipped from factory to maintain NEMA 4 rating
- 3** Ground wire may be Green on some models



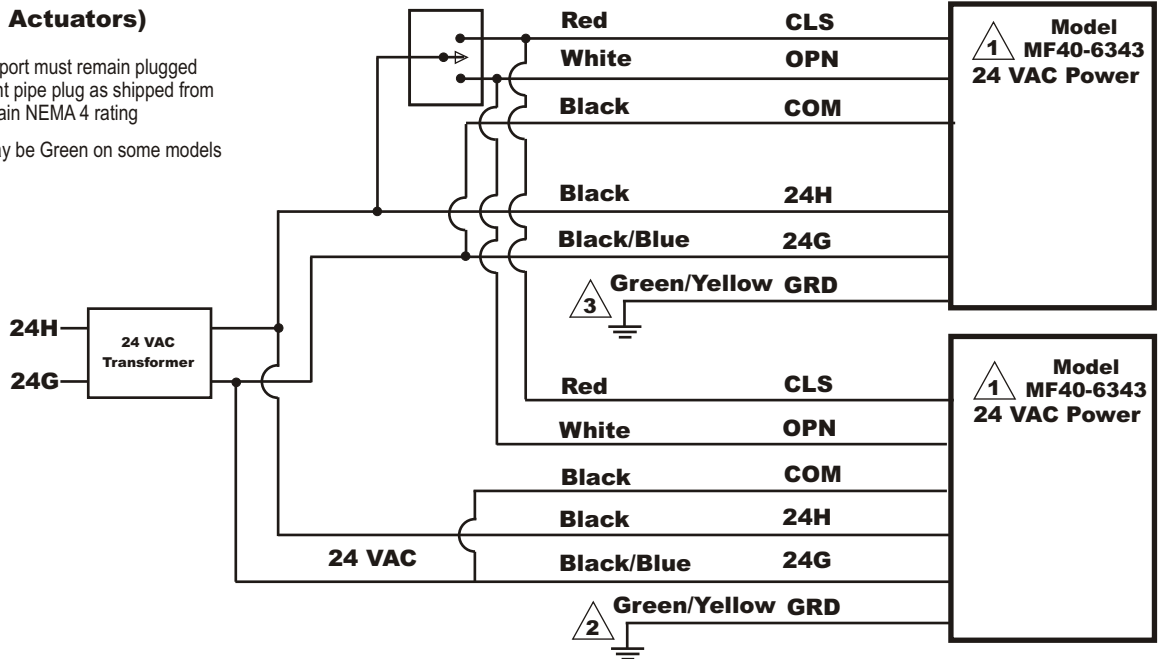
## Floating

- 1** SPDT Floating or switch/controller or 2spdt
- 2** Unused conduit port must remain plugged with a water tight pipe plug as shipped from factory to maintain NEMA 4 rating
- 3** Ground wire may be Green on some models



## Floating (Dual Actuators)

- 1** Unused conduit port must remain plugged with a water tight pipe plug as shipped from factory to maintain NEMA 4 rating
- 2** Ground wire may be Green on some models



## Modulating 2-10 VDC

- 1** Unused conduit port must remain plugged with a water tight pipe plug as shipped from factory to maintain NEMA 4 rating
- 2** Ground wire may be Green on some models

