

## Non-Spring

### Features

- 300 lb-in (34 nm) torque rating
- Oil immersed gear train provides continuous lubrication
- NEMA 4 Housing, UL approved
- Manual override to allow positioning for installation and manual operation
- Automatic current sensing motor control provides extended reliability timing
- MF models provide floating point/On-Off control (drive open-hold-drive closed)
- MS models provide proportional control compatible with 2 to 10 VDC input
- Product life, minimum of 100,000 cycles

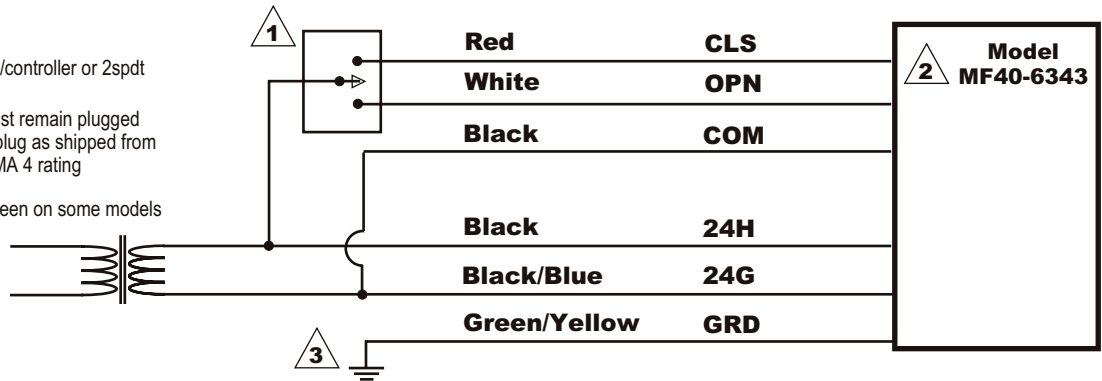


### Specifications

<b>Control Signal</b>	MF-40-6343 SPDT Floating MS-40-6343 Proportional 2 to 10 VDC input
<b>Power Requirements</b>	<i>MF-40-6343</i> SPDT Floating 24 VAC $\pm 20\%$ @ 50/60 Hz, 3.8 VA, 7.1 W (running) and 3.6 W (holding) <i>MS-40-6343</i> Proportional 2 to 10 VDC in 24 VAC $\pm 20\%$ @ 50/60 Hz, 8.0 VA, 10.0 W. <i>MS-40-6340</i> Floating 120 VAC $\pm 10\%$ @ 50/60 Hz, 8.0 VA, 10.0 W. <i>MS-40-6341</i> Floating 240 VAC $\pm 10\%$ @ 50/60 Hz, 8.0 VA, 10.0 W. <b>Note:</b> All 24 VAC circuits are Class 2. All circuits 30 VAC and above are Class 1
<b>Connections</b>	24 inch (61 cm) long appliance cables, 18 AWG color coded leads with 1/2" conduit connector NPT.
<b>Electrical</b>	Stroke: Electronically limited to $93^\circ \pm 1^\circ$ . Timing: Approximate running time is 145 seconds.
<b>Mechanical</b>	Output torque rating: 300 lb-in (34 Nm). Timing: Approximate running time is 145 seconds. Position Indicator: pointer and scale are provided for position indication. Direction of Rotation: CW or CCW rotation is available through reverse mounting.
<b>Temperature Limits</b>	Shipping and Storage: $-40^\circ$ to $160^\circ\text{F}$ ( $-40$ to $71^\circ\text{C}$ ) ambient Operating: $-25$ to $140^\circ\text{F}$ ( $-40$ to $71^\circ\text{C}$ )
<b>Humidity</b>	15 to 95% RH non-condensing
<b>Locations</b>	NEMA 1, NEMA 4 with customer supplied conduit connectors

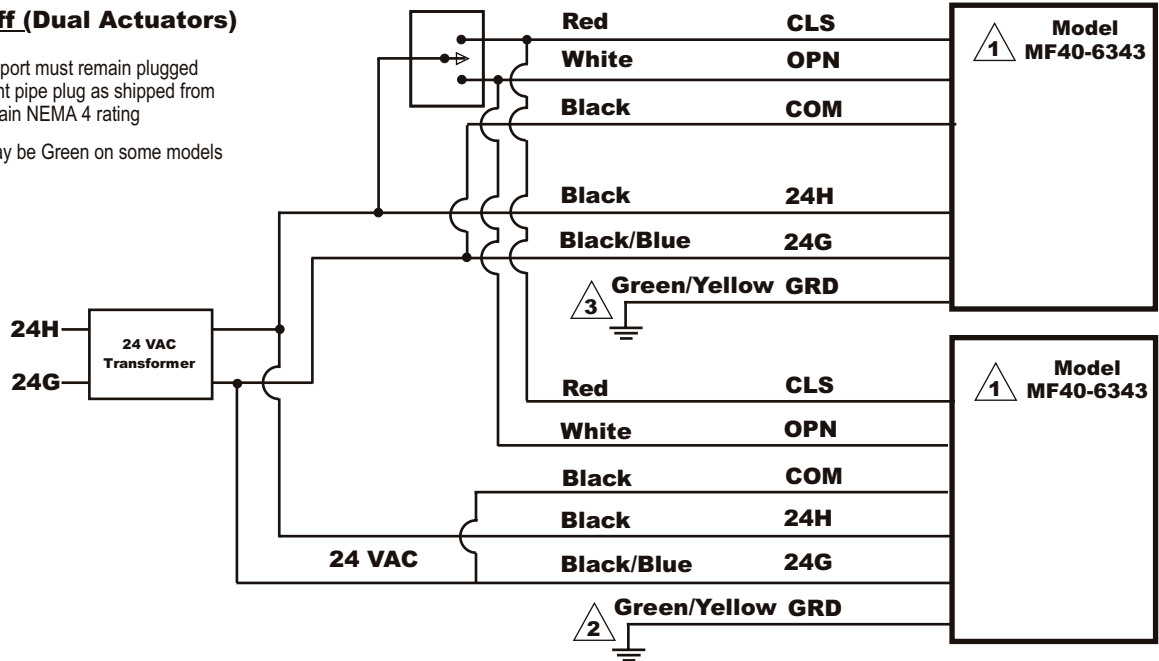
### Floating/On-Off

- 1** SPDT Floating or switch/controller or 2spdt
- 2** Unused conduit port must remain plugged with a water tight pipe plug as shipped from factory to maintain NEMA 4 rating
- 3** Ground wire may be Green on some models



### Floating/On-Off (Dual Actuators)

- 1** Unused conduit port must remain plugged with a water tight pipe plug as shipped from factory to maintain NEMA 4 rating
- 2** Ground wire may be Green on some models



### Modulating 2-10 VDC

- 1** Unused conduit port must remain plugged with a water tight pipe plug as shipped from factory to maintain NEMA 4 rating
- 2** Ground wire may be Green on some models

