

Pilot / Solenoid Valve

Operation

NAMUR pad mount valves are general purpose and direct mount to the side of the actuator. O-rings extend from the solenoid body and compress against the actuator to make a leak free seal. The coil receives the power supply, which moves the spool valve and switches the internal air porting to rotate the actuator 90 degrees.

Features

- Spool valve is pilot operated
- Continuous duty cycle coil
- 120 vac power supply is standard, optional voltages available on request
- NEMA 4 enclosure is weatherproof
- NPT 1/4" inlet and exhaust ports
- 4-way design is suited for double acting or spring return pneumatic actuators
- Temperature range is 10°F - 130°F

Technical

CV = 1.68

Weight = .72 LBS.

Pressure Range = 20 -120 psig

NAMUR drilling for easy mounting to actuator

Pilot™

Solenoid Valve



Part	Material
Housing	Zinc Die Cast
Coil Cover	Glass Filled Polyimide
Internal Parts	Zinc Die Casting and Steel
Body Seal Material	Nitrile (NBR)
Internal Seals	Nitrile (NBR)
Hardware	Stainless Steel

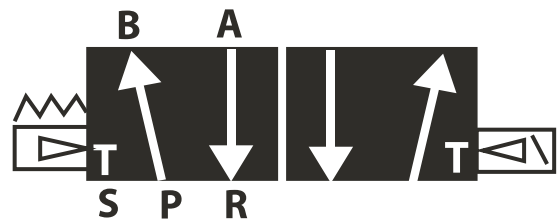
LED Indication

When power is present at the coil, it is indicated by a LED light. The red LED light is pre-wired and long lasting to give years of trouble free indication.



Manual Override

The solenoid offers a momentary and maintained manual override as standard. To activate the momentary manual override push the red button into the body. To maintain the manual override push the red button into the body then turn to lock in place.



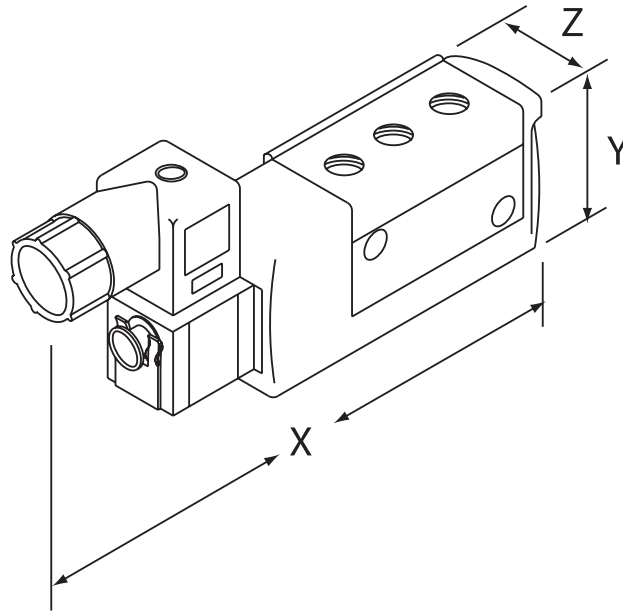
Optional Speed Controls

Speed control mufflers are constructed of nickel plated aluminum and fitted with an external flow adjustment screw. The adjustment screw moves the aero-dynamically shaped bullet head to meter the air flow. Flow can be accurately varied with the bullet type head from closed to full flow with the final position being locked by the locking nut. This muffler can not accidentally be tampered with, removed or blown out.



Pilot / Solenoid Valve - Specification

SPECIFICATION



Voltages	Assembly Number	Watt Rating	Class Coil	Cv	Port Size	Dimensions (inch)		
						X	Y	Z
24 VAC	PN2A-4	6.9	F	1.68	¼"	5.22	2.76	1.06
24 VDC	PN4D-4	4.8	F	1.68	¼"	5.22	2.76	1.06
120 VAC	PS6A-4	6.9	F	1.68	¼"	5.22	2.76	1.06
220 VAC	PN8A-4	6.9	F	1.68	¼"	5.22	2.76	1.06

NOTE: For explosion proof replace the (-4) with (-7) in assembly number

CONSTRUCTION

Field Connection



Cover



Wire Termination

ELECTRICAL

Top View

(2) Hot

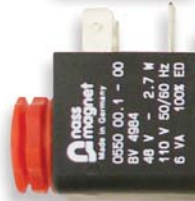
(1) Neutral



Ground

Insulator

Exhaust



Manual Override